

# Vair-iations

VOLUME 45, NUMBER 4

April 2017

CELEBRATING 40 YEARS  
*niagara frontier*  
corvair club  
1973 - 2013

Formed By And For Those Who Still Appreciate The CORVAIR Automobile

**Note: Membership dues are due July 1<sup>st</sup> 2017 for the 2017-2018 membership year**



Dick Matson shared some photos of his latest acquisition sporting its new bed cover. Look for this one during cruise season!

*Corvair...*

**THERE IS A SECTION IN THE BUFFALO NEWS EVERY FRIDAY IN THE AUTOMOTIVE SECTION CALLED "REAL RIDES OF WNY". JIM CORBRAN, WHO ALSO MAINTAINS THE BUFFALOCARS.COM WEBSITE POSTS A LOCAL CLASSIC CAR WEEKLY IN THE NEWS, AND ALSO A DAILY CAR ON THE BUFFALOCARS.COM WEBSITE. I WAS LOOKING AT THE SITE TO SEE IF HE FEATURED ANY CORVAIRS, AND AS IT TURNS OUT HE HAS FEATURED SEVERAL LOCAL CORVAIRS. HERE IS WHAT I HAVE FOUND, ANY OF THEM LOOK FAMILIAR?** Some of these I have never seen, have you?



<http://buffalocars.com/realridesofwny-1039-111516>



<http://buffalocars.com/realrides-of-wny-830>



<http://buffalocars.com/realrides-of-wny-744>



<http://buffalocars.com/realrides-of-wny-944>



<http://buffalocars.com/realrides-of-wny-803>



<http://buffalocars.com/realrides-of-wny-843>



<http://buffalocars.com/real-rides-of-wny-1000-092016>



<http://buffalocars.com/realrides-of-wny-710>



<http://buffalocars.com/realrides-of-wny-682>

Driving through the City of Tonawanda, you may have passed this 1964 Corvair many times without even realizing it was a car! It's now a meat smoker, parked in front of the Smoke on the Water restaurant on Young Street. I can't imagine how this ever came to be, but I'm sure there are some Corvair purists (the dead ones, at least) who are rolling in their graves at the thought of cutting up one of these rear-engined classics! — Jim Corbran, RRofWNY The post RealRides of WNY appeared first on Buffalo Cars.



1966 Chevrolet Corvair homecoming – the turning point

<https://www.hemmings.com/blog/2017/03/24/1966-chevrolet-corvair-homecoming-the-turning-point/?refer=news>

Continuation of a great article on the Hemmings blog. A very good read, many of us can identify with this.



Next Meeting April 19th

## MEMBERSHIP DUES

**Club Membership - \$10.00 per year for e-mail newsletter. \$15 per year for postal newsletter. Dues may be paid at monthly meeting or by mailing to:**

Bob Guerin 3717 Daniels Rd. Ransomville NY 14131 Membership year runs from July 1 to June 30.

-----Membership APPLICATION-----

### NIAGARA FRONTIER CORVAIR CLUB

NAME \_\_\_\_\_ CORSA Member? Yes/No \_\_\_\_\_

ADDRESS \_\_\_\_\_

CITY \_\_\_\_\_ STATE \_\_\_\_\_ ZIP \_\_\_\_\_

PHONE \_\_\_\_\_ E-MAIL ADDRESS \_\_\_\_\_

DATE \_\_\_\_\_ Check one: E-Mail \_\_\_\_\_ Postal \_\_\_\_\_

MAKE CHECKS PAYABLE TO: NIAGARA FRONTIER CORVAIR CLUB

**Niagara Frontier Corvair Club**  
**C/O Gary Swiatowy**  
**7838 Chestnut Ridge Road,**  
**Gasport, NY 14067**

-----ESTABLISHED 1973-----

**A Chartered Chapter of the Corvair Society of America**

<b>President</b>	<b>Pat Murphy</b>	<b>(716) 861-8749</b>
<b>Vice President</b>	<b>Joe Pendolino</b>	<b>(716) 837-5070</b>
<b>Secretary</b>	<b>John Dawley/Joe Pendolino</b>	<b>(716) 832-8551</b>
<b>Treasurer</b>	<b>Bob Guerin</b>	<b>(716) 266-4013</b>
<b>Membership</b>	<b>Joe Grifasi</b>	<b>(716) 688-6041</b>

Club Membership - \$10.00 per year e-mail newsletter, \$15 per year postal newsletter. Dues may be paid at monthly meeting or by mailing: to the Club treasurer **Bob Guerin 3717 Daniels Rd. Ransomville NY 14131** . Membership year runs from July 1 to June 30.

**APR 9 – BUFF CON 34 PLASTIC MODEL CONTEST** – Justin & Columbus Hall, 2735 Union Road at William St., Cheektowaga, NY. 2-4pm. INFO: [www.ipmsniagarafontier.com](http://www.ipmsniagarafontier.com)

**Apr. 19th - NFCC Meeting** – 7:00 PM First Trinity Lutheran Church 1570 Niagara Falls Boulevard Tonawanda

**Apr 20 - THE DRIFTERS CRUISE STARTS-**

**Apr 26 - TEXAS ROAD HOUSE CRUISE STARTS-**

**Apr 30 - WNY MAPLE FESTIVAL CAR & BIKE SHOW** - Rt. 16 - Across from Fire Hall, Rt. 16, Franklinville, NY. Reg. 9am-1pm. Judging 1-3pm. TROPHIES @ 4pm.

**May 4 - THE DRIFTERS CRUISE - CAR BLESSING** - American Legion #928, 7353 Erie Rd., Rt. 5, Derby, NY. 5-8:30pm. Food Available by American Legion. Blessing at 7pm. Sponsored by The Drifters Car Club Inc. INFO: Joe 716-954-3835, Sal 716-697-2914.

**May 4 - STREET CLASSICS CRUISE NITE STARTS -**

**May 5 - HAMBURG MOOSE LODGE #992 CRUISE NIGHT STARTS -**

**May 6 - 27th ANNUAL MOTORCYCLE SAFETY & AWARENESS RUN** - VFW Post 8113, "The Chicken Coop," 299 Leydecker Rd., West Seneca, NY. Sign up 10:30 to Noon. Sponsored by ABATE OF NY Buffalo/ Erie INFO: Damian 716-825-2627, Lee 716-674-7040.

**May 6 - K-S AUTO STORE MONTHLY SATURDAY MORNING SWAP MEET AND CRUISE** - 811 Niagara St., Tonawanda, NY. 8am-noon. Sponsored by K-S Auto Store. INFO: Gary 716-692-8222, [www.ksauto.com](http://www.ksauto.com).

**May 7 - ROD & CUSTOMS 33rd ANNUAL AUTO SWAP MEET** - Sanborn Lewiston Farm Museum, 2660 Saunders Settlement Rd. (Rt 31), Sanborn, NY. 7am-2pm. Small donation to help farm museum. INFO: Tom 716-694-0888, John 716-628-6786.

**May 9 - PAUTLERS TUESDAY NIGHT CRUISE STARTS -**

**May 9 - SCHARF'S GERMAN RESTAURANT AND BAR TWICE MONTHLY CRUISE NIGHTS STARTS -**

**May 9 - UNCLE JOE'S DINER - BLESSING CRUISE** - Uncle Joe's Diner, 4869 Southwestern Blvd., Hamburg, NY. 5-9pm. Rain date following Tuesday. INFO: Mike 716-648-7154, email: [unclejoesdiner@hotmail.com](mailto:unclejoesdiner@hotmail.com)

**May 10 - CRUISE NIGHT AT LANCASTER SPEEDWAY & DRAGWAY STARTS -**

**May 10 - V.F.W. POST 1419 CRUISE STARTS** - 2985 Lakeview Rd., Hamburg, NY -

**May 11 - POLISH FALCON'S CAR CLUB THURSDAY CRUISE NIGHT STARTS -**

**May 12 - ALL AMERICAN MONTHLY CAR CRUISE** - At "Made in America" Store, Elma, NY -

**May 13 - THE DRIFTERS SWAP MEET** - American Legion #928, 7353 Erie Rd., Rt 5, Derby, NY. 8am-2pm. Set up for vendors 7am. Food by American Legion. Vendor Space \$10 for 10 x 20 Ft. Sponsored by The Drifters Car Club Inc. INFO: Joe 716-954-3835, Sal 716-697-2914.

**May 13 - V.F.W.POST 1419 SPRING SWAP MEET** - V.F.W. Post 1419, 2985 Lakeview Rd., Hamburg, NY. 7am-2pm. RAIN DATE MAY 19. Sponsored by V.F.W. Post 1419. INFO: Post 716-648-2618, Norm 716-627-5672.

**May 15 - ADRIAN'S CUSTARD & BEEF MONTHLY CRUISE NIGHT -**

**May 15 - EAST AURORA VIETNAM VETERANS MONTHLY CRUISE NIGHT -**

**May 15 - LOCKPORT MONDAY NIGHT CRUISE STARTS -**

**May 16 - J.R.'S SENECA HAWK CRUISE NIGHT STARTS -**

**May 16 - VARIETY CLUB CRUISE NIGHTS STARTS -**

**May 17 - BIG INDIAN WEDNESDAY NITE CRUISE STARTS -**

**May 17 - LT. COL. MATT URBAN WEDNESDAY CRUISE NITE STARTS -**

**May 17 - WEDNESDAY NIGHT MONTHLY CRUISE AND FOOD AT THE CARRIAGER'S -**

**May 18 - CATARACT CRUISERS CAR CLUB CRUISE STARTS -**

**May 19-21 - DUNKIRK '17 AUTOMOTIVE SWAP MEET & FLEA MARKET** - Chautauqua County Fairgrounds, 1089 Central Ave., 1 Mile from 190 Exit 59, Dunkirk, NY. Fri/Sat 8am-5pm. Sun 8am-3pm. INFO: Nancy 716-489-4868, email: [clraaca13@gmail.com](mailto:clraaca13@gmail.com)

**May 19 - FREEWHEELERS CAR CLUB FRIDAY NITE CRUISE STARTS - NEW LOCATION** - Gratwick Hose Fire Co., 111 Ward Rd., N. Tonawanda-

**May 21 - 24th ANNUAL AUTO TECH CAR SHOW/SWAP MEET** - Finger Lakes Tech & Career Center, 3501 County Rd., Rt. 20, Stanley, NY. 10am-3pm. Sponsored by Auto Tech Class of 2017. INFO: Roger 585-967-8920.

**May 21 - 3rd ANNUAL CRUISING AGAINST CANCER CAR & CRAFT SHOW** - Cattaraugus County Fairgrounds, Route 353, Little Valley, NY. Reg. 9:30am-noon. Show Noon-4pm. Dash plaques to first 100 cars. All proceeds to benefit the American Cancer Society. Sponsored by Relay For Life, Team Walk This Way. INFO: Jerry 716-801-1714, Sherry 716-244-2344, Ted 716-969-3690.

**May 21 - NOMADS CAR CRUISE STARTS -**

**May 21 - SPRING ALL-CLUBS PICNIC 2017** - Emery Park Judge Stohrer's Lodge, (Shelter #D), 2084 Emery Rd., South Wales, NY. 11am-5pm. Admission cash donation. All for Carly's Club (Division Roswell Park). Grill will be lit, inside restrooms, heated lodge. No glass containers. Pack your picnic baskets. INFO: Lois 716-359-5347, Ray 716-866-3812.

**May 22 - CRUISE THE BAY STARTS -**

**May 22 - LOCKPORT MONDAY NIGHT CRUISE - MILITARY NIGHT -**

**May 25 - AKRON CRUISE NIGHTS START -**

**May 27 - FESTIVAL IN THE PARK CRUISE IN** - Davis Park, W. Main St. Falconer, NY. 9am-4pm. Sponsored by Der Kobblers' Automobile Association. INFO: Sam 716-450-0663.

**May 27 - FILLMORE MEMORIAL WEEKEND CAR SHOW** - Main St., State Rt. 19, Fillmore, NY. Reg. 2pm. Show 3-6pm. Sponsored By Fillmore Fun Fest. INFO: Darlene 585-739-9479.

**May 27 - THE CAZ 23rd ANNUAL CAR SHOW** - Cazenovia Park Casino, Buffalo, NY. Reg. 10am-1pm. Show Noon-6pm. TO BENEFIT SOUTH BUFFALO FOOTBALL. INFO: Jack 716-578-8336, Dave 716-713-2893.

**May 28 - CRUISE TO THE CASINO** - Casino Bemus Point, NY. 11am-3pm.. INFO: Ray 716-763-0980.

**May 28 - CRUISE-N-CUTS MONTHLY CRUISE -**

**May 28 - OLCOTT SUNDAY SUPER CAR CRUISE** - Main Street, Olcott. NY. 1-4pm. Sponsored by Olcott Beach Community Assoc. & Area businesses. INFO: Jane 716-628-4007.

**May 28 - ORPHANS IN ORCHARD PARK** - West Herr Chevrolet of Orchard Park, 3575 Southwestern Blvd., Orchard Park, NY. Reg. 10am-noon. Show Noon-3pm. Open to Cars not produced in 2017. Show Profit goes to Humane Society of Dunkirk, HEART Animal Rescue Org.-. INFO: Sal 716-824-2368, Dennis 716-822-5218, email: [oldsclub@rocketmail.com](mailto:oldsclub@rocketmail.com).

May 28 - SILVER CREEK FIREMEN'S CLUB CRUISE-IN - Jackson St., Silver Creek, NY. Noon-5pm. Food and Refreshments Available. Sponsored by Lake Shore Street Rod Association. INFO: Dan 716-430-6582, Tod 716-934-3042.  
May 29 - LOCKPORT MONDAY NIGHT CRUISE - MEMORIAL DAY CRUISE -  
June 9, 10, 11 Corvair Recall Syracuse NY

# Our 42nd Year!

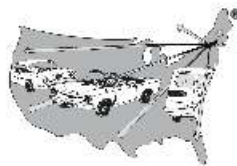
## Get the 2013-2018 Catalog

If you did not get the catalog in 2013 or 2014, you can get one **FREE** on your first **\$50 order** during 2015. (Additional catalogs \$3 with an order)

*Over 100 new repro parts in the past 3 years.*

## Clark's Corvair Parts®

400 Mohawk Trail, Shelburne Falls, MA 01370  
(413)625-9776 www.corvair.com



### BACKWARD GLANCES - AN EXPERIMENTAL MILITARY AMPHIBIOUS CHEVY CORVAIR

<http://www.fourwheeler.com/features/1601-backward-glances-an-experimental-military-amphibious-chevy-corvair/>

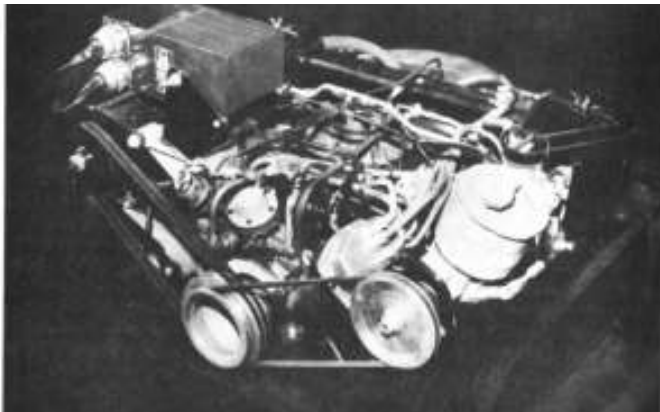


They called it TUFV, an acronym for Truck Utility Floatable Independent.

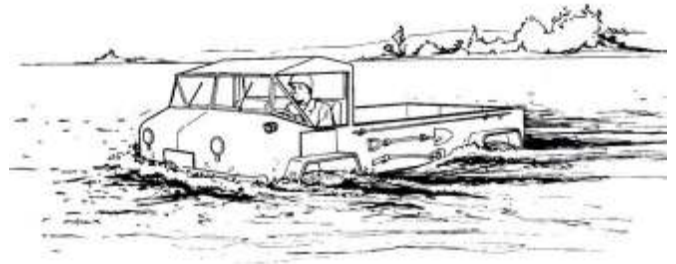
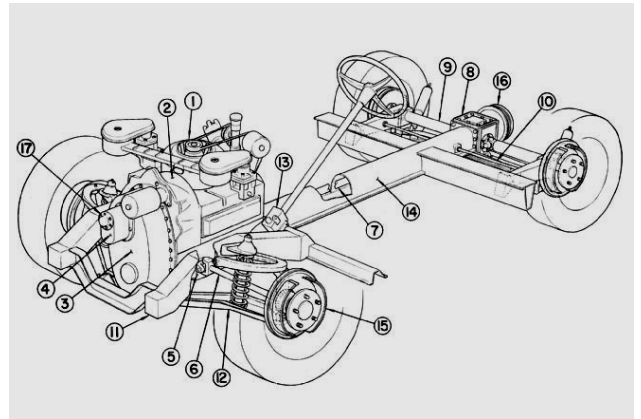
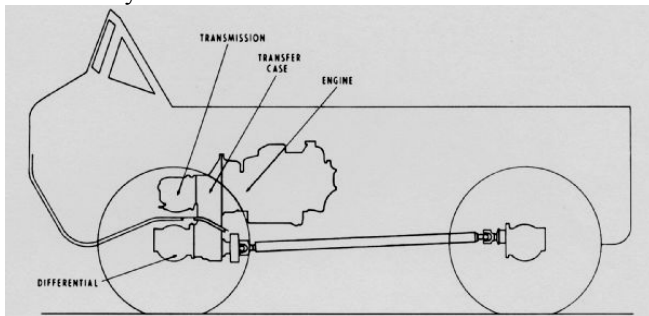


Many of you know of, or took part in the NFCC's restoration of the Canadair Military Corvair motor now on display at the Buffalo Transportation Museum. This is NOT the vehicle our motor was intended for. This is yet another experimental Military vehicle which the Corvair motor was intended to power if it went into full production. Yet another little known tidbit of Corvair history.

I just couldn't help but wonder what would have been if this went into production and was successful.....



Pretty much a Corvair, but with a huge, double-belted 24V generator and waterproof suppressed ignition. This pic, from the presentation booklet, shows what appears to be a power steering pump. Power steering isn't listed in the specs but seems likely.



**Amphibious!**