

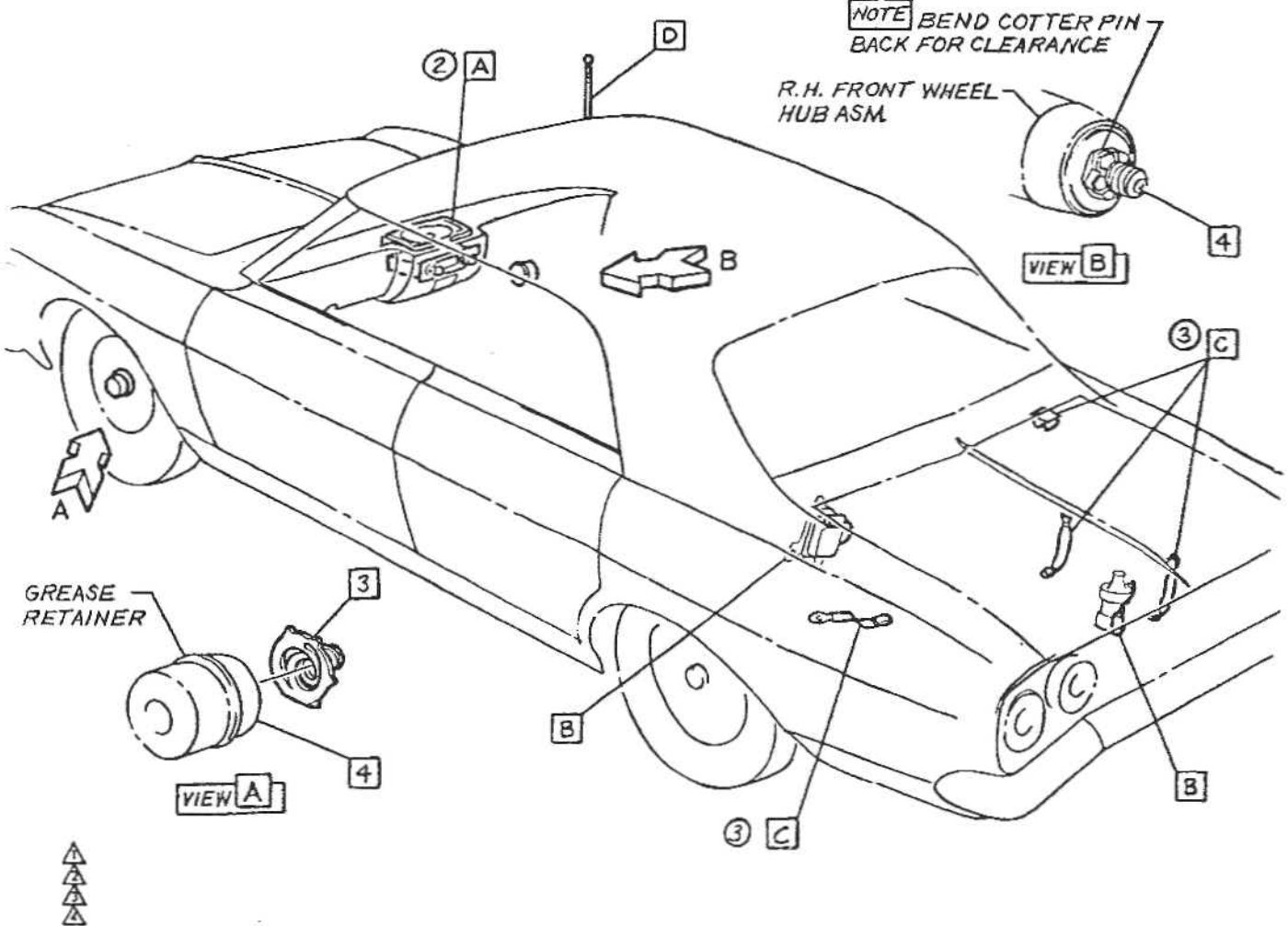
SHEET TITLE

- A1. CONTENTS
- A** A2. RECEIVER & SPEAKER
- A3.
- B** A4. CAPACITORS
- C** A5. GROUND STRAPS & CLIP

SHEET TITLE

- D** B1. FRONT ANTENNA

- 1** **1** 106652 FUSE - Insert in receptacle marked "radio" on fuse panel asm. Ref. UPC 12.
- 2** U69 instruction sheet & FM booklet - Ref. UPC 14 - Misc. shipping list.
- 3** 7290971 STATIC COLLECTOR ASM. L. H.
- 7276494 R. H.
- 4** Remove all grease from grease retainer & lathe hole before installing static collector.



NOTE BEND COTTER PIN BACK FOR CLEARANCE

R. H. FRONT WHEEL HUB ASM.

GREASE RETAINER

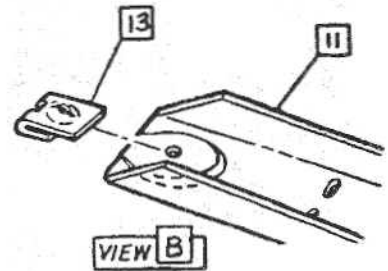
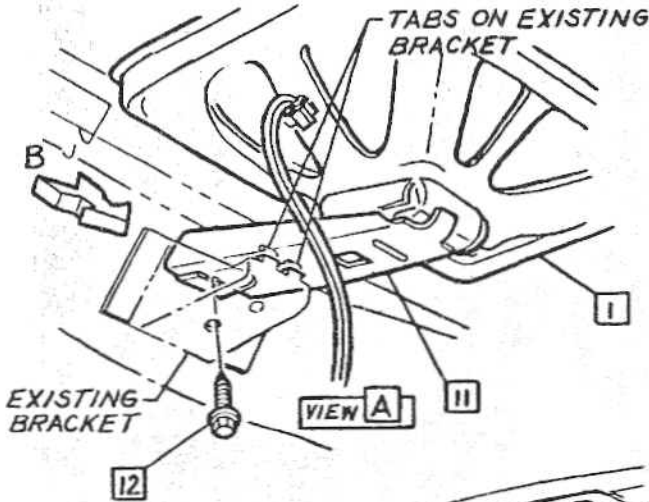
* CHEVROLET MOTOR DIVISION, GMC *		UPC	DATE	SYM	REVISION RECORD	AUTH	DR	CK
RADIO CONTENTS — U60 MANUAL, U63 PUSH BUTTON, U69 AM/FM		U60 U63-U69	7-2-64	1	WAS 9419783	62261	NM	
10000				2	WAS SYMBOL C	64798		
DWG PREL 4-16 DATE 4-16-64		A1.		3	WAS SYMBOL A (2 PLACES)			DP
REF: Prel. / L-72227-L		1 SHEET <input checked="" type="checkbox"/>						

3862100

CORVAIR 10000 SERIES*

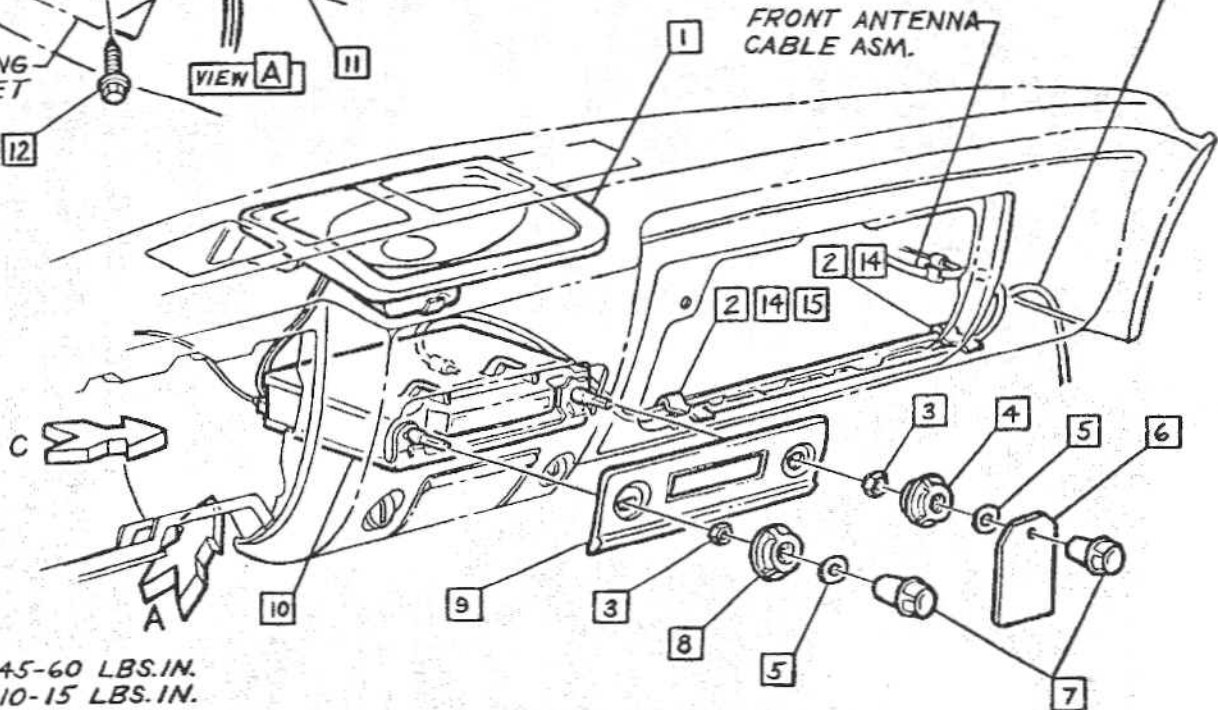
- | | | | | | |
|-----|---------|---------------------|------|---------|-------------------|
| 1 | 7289731 | SPEAKER ASM | 9 | 3860550 | TRIM PLATE |
| 2 | 3858843 | CLIP | 10 | 7289311 | RECEIVER ASM- U60 |
| ① ③ | 7279805 | NUT | | 7289331 | U63 |
| 4 | 3860553 | CONTROL KNOB SPACER | | 7290581 | U69 |
| 5 | 7278015 | SPACER | 11 | 3860549 | BRACKET |
| 6 | 3844066 | TAG (U69 ONLY) | ② 12 | 9420878 | SCREW |
| 7 | 3860189 | KNOB ASM | 13 | 3849974 | "U" NUT |
| 8 | 3860552 | TONE CONTROL KNOB | | | |

- 14 2 req'd-To clip front antenna cable to inst panel reinf.
- 15 1 req'd-This location to clip rear antenna cable to inst panel reinf.



UPC U73-REAR ANTENNA CABLE ASM. (INSTALLED TO THIS POINT BY FISHER)

FRONT ANTENNA CABLE ASM.

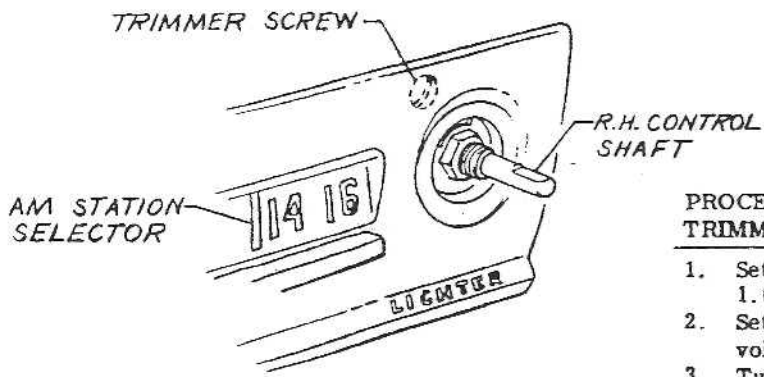
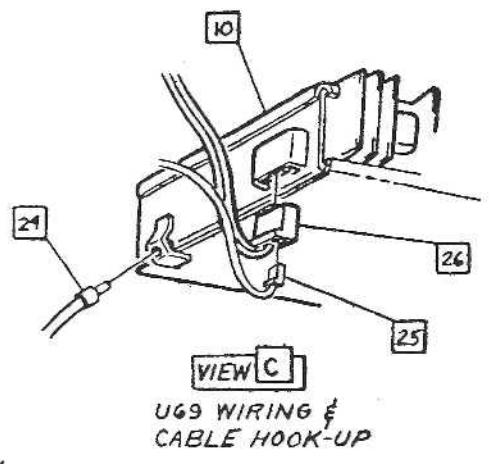
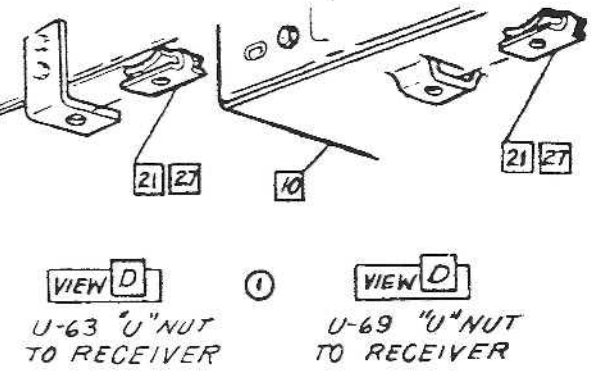
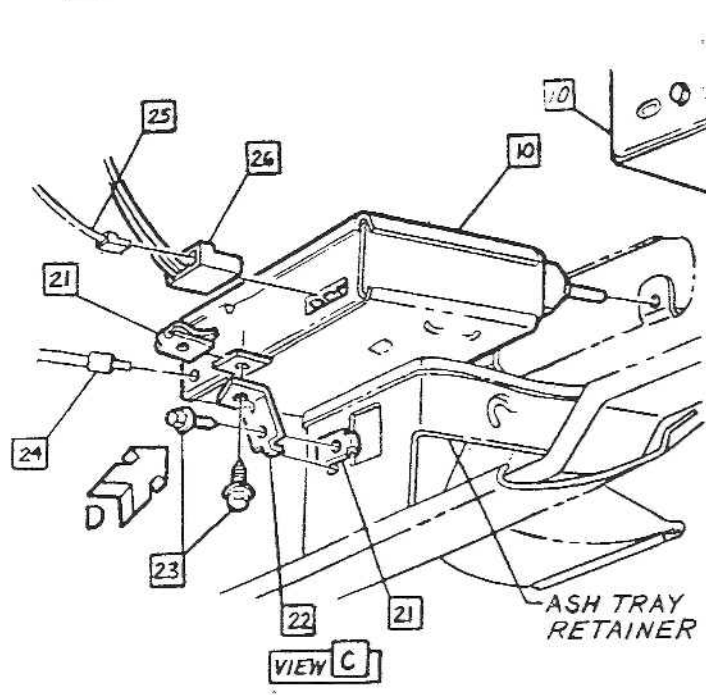


- ▲ 45-60 LBS. IN.
- ▲ 10-15 LBS. IN.
- ▲
- ▲

* CHEVROLET MOTOR DIVISION, GMC *		UPC	DATE	SYN	REVISION RECORD	AUTH.	DR	CK
RADIO RECEIVER & SPEAKER		U60	9-3-64	1	NAS 3860185 NUT	L5065	GB	DF
10000		U63-U69						
DWG PREL. 4-9-64		REF. A3.						
DATE 4-9-64		A2.						
REF. PREL. A 3 L-72227-L		X SHEET						
L- L- L-								

- 21 9420153 "U" NUT
- 22 3860554 BRACKET
- 23 9420415 SCREW
- 24 Antenna cable lead-in

- 25 Radio connector-black w/yellow stripe wire (part of harness asm)
- 26 Speaker connector
- 27 "U" Nut must be installed from direction shown.



▲ 30-40 LBS. IN.
▲
▲

PROCEDURE FOR PEAKING THE ANTENNA TRIMMER:

1. Set antenna mast at a height of 31± 1.0 inches
2. Set volume control knob at maximum volume.
3. Tune radio to a signal at or near 1400 KC on the AM scale.
4. Adjust antenna trimmer screw (±2° screw rotation) until maximum volume is received
5. Turn receiver off.

CHEVROLET MOTOR DIVISION, GMC		UPC	DATE	SYM	REVISION RECORD	AUTH	DR	CK
RADIO RECEIVER & SPEAKER		U60 U63-U69 REF. A2. A3.	2-26-64	1	VIEW D REVISED		SB	
10000				2	ITEM 27 ADDED			WB
DWG PREL 4-13	WM	REF: Prel. A4	L-72227	L-	L-	L-		
DAT. 4-13-64								
		SHEET						

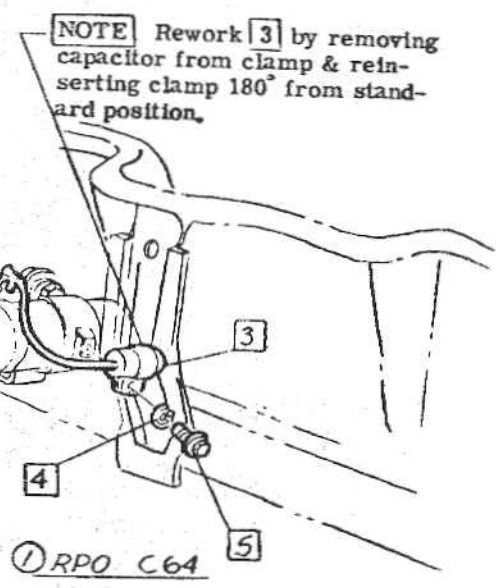
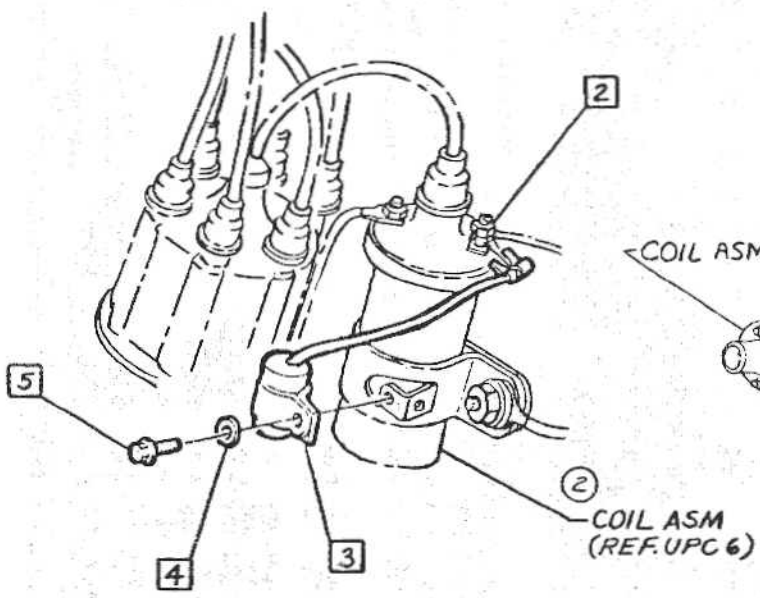
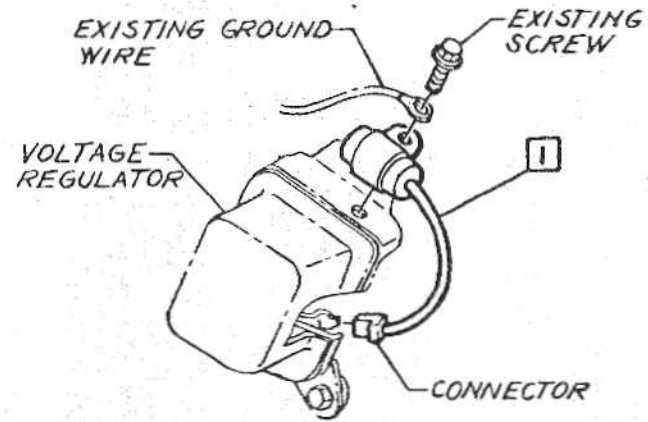


ASSEMBLY INSTRUCTIONS

3862100 CORVAIR 10000 SERIES

- 1 1964086 CAPACITOR ASM
- 2 Nut-positive (+) post-loosen nut & allow terminals to be positioned between nut & clip.
- 3 1947452 CAPACITOR ASM
- 4 121752 L. WASHER

- 5 9412180 SCREW

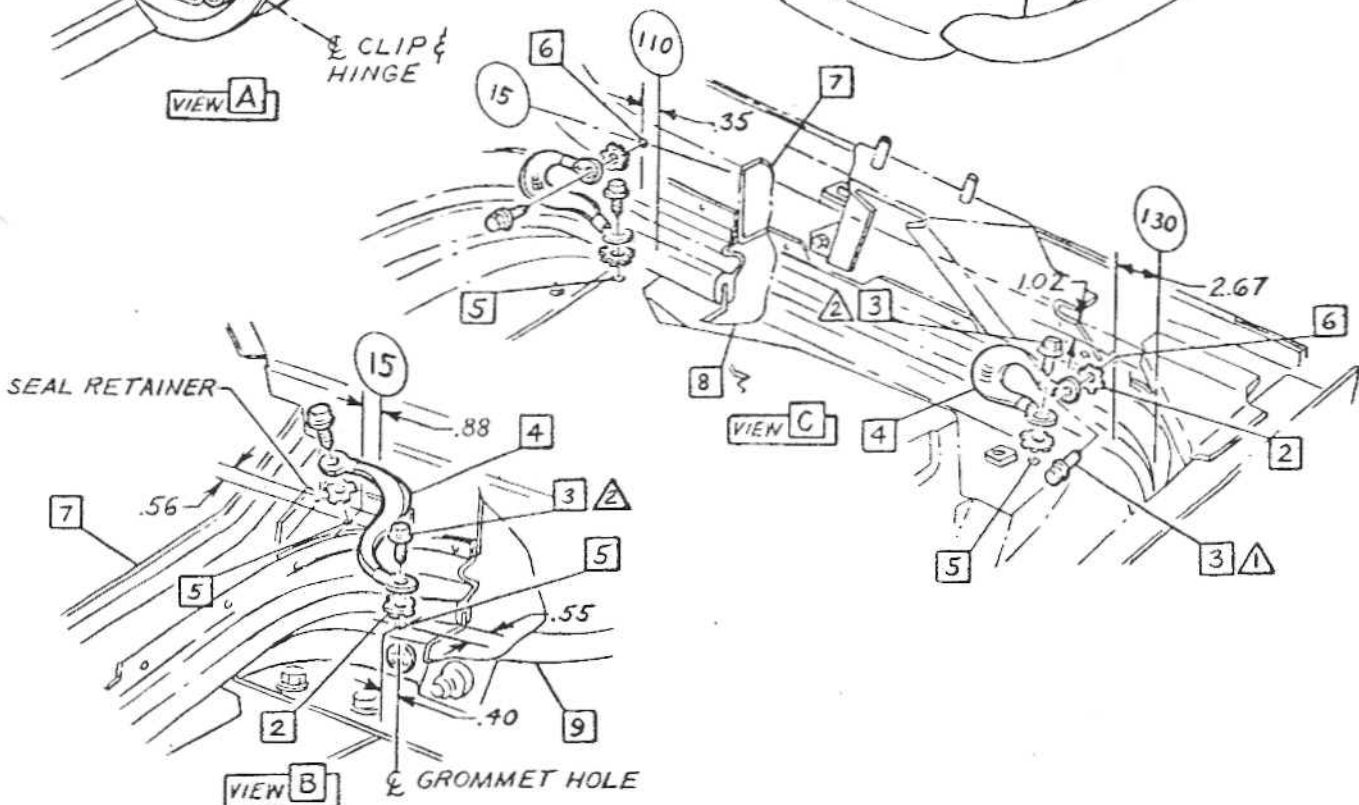
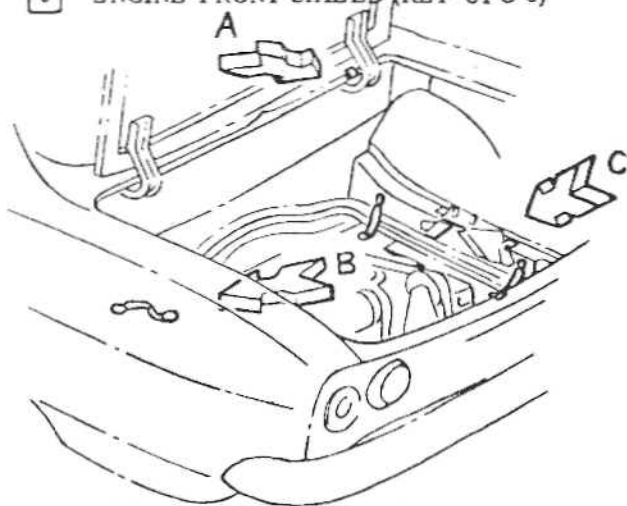
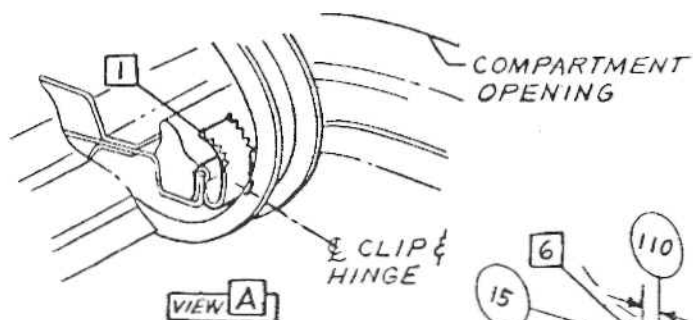


- ▲ 25-35 LBS IN.
- ▲ 16-22 LBS IN.
- ▲
- ▲

CHEVROLET MOTOR DIVISION, GMC		UPC	DATE	SYM	REVISION RECORD	AUTH	DR	CK
RADIO CAPACITORS		U60 U63-U69	3-4-65	1	CH. MOTOR DIVISION ADDED	68894	JC	
10000				2	COIL DWG REVISED			CI
DWG PREL 3-26-64		A4.						
REF: Prel. A2 L-72227L- DATE 3-26-64 L- L- L-			SHEET					

- ② 1 3873770 SPECIAL CLIP
- 2 121753 L. WASHER
- ③ 3 3880902 SCREW
- ① 4 2976656 STRAP ASM. -GROUND
- 5 .185/.188 DIA. HOLE THRU EXISTING DIMPLE
- 6 .204/.207 DIA. HOLE IN SIDE INNER RAIL

- 7 SIDE INNER RAIL
- 8 ENGINE SIDE SHIELD (REF UPC 6)
- 9 ENGINE FRONT SHIELD (REF UPC 6)



- ▲ 35-50 LBS. IN.
- ▲ 10-15 LBS. IN.
- ▲
- ▲

• CHEVROLET MOTOR DIVISION, GMC •		UPC	DATE	SYM	REVISION RECORD	AUTH.	DR	CK
RADIO GROUND STRAPS & CLIP		U60 U63-U69	7-22-64	1	WAS 2974198 STRAP	65253	EL	MB
			10-26-64	2	WAS 3860553 CLIP & DWG REVISED.	15869	MM	AB
10000		A5.	3-19-65	3	WAS 9420415 SCREW		JL	CI
DWG PREL 2-19-64 WM		REF: Prel. A1	L-74776-L-					
DATE 2-19-64		L-	L-	L-				
		SHEET						