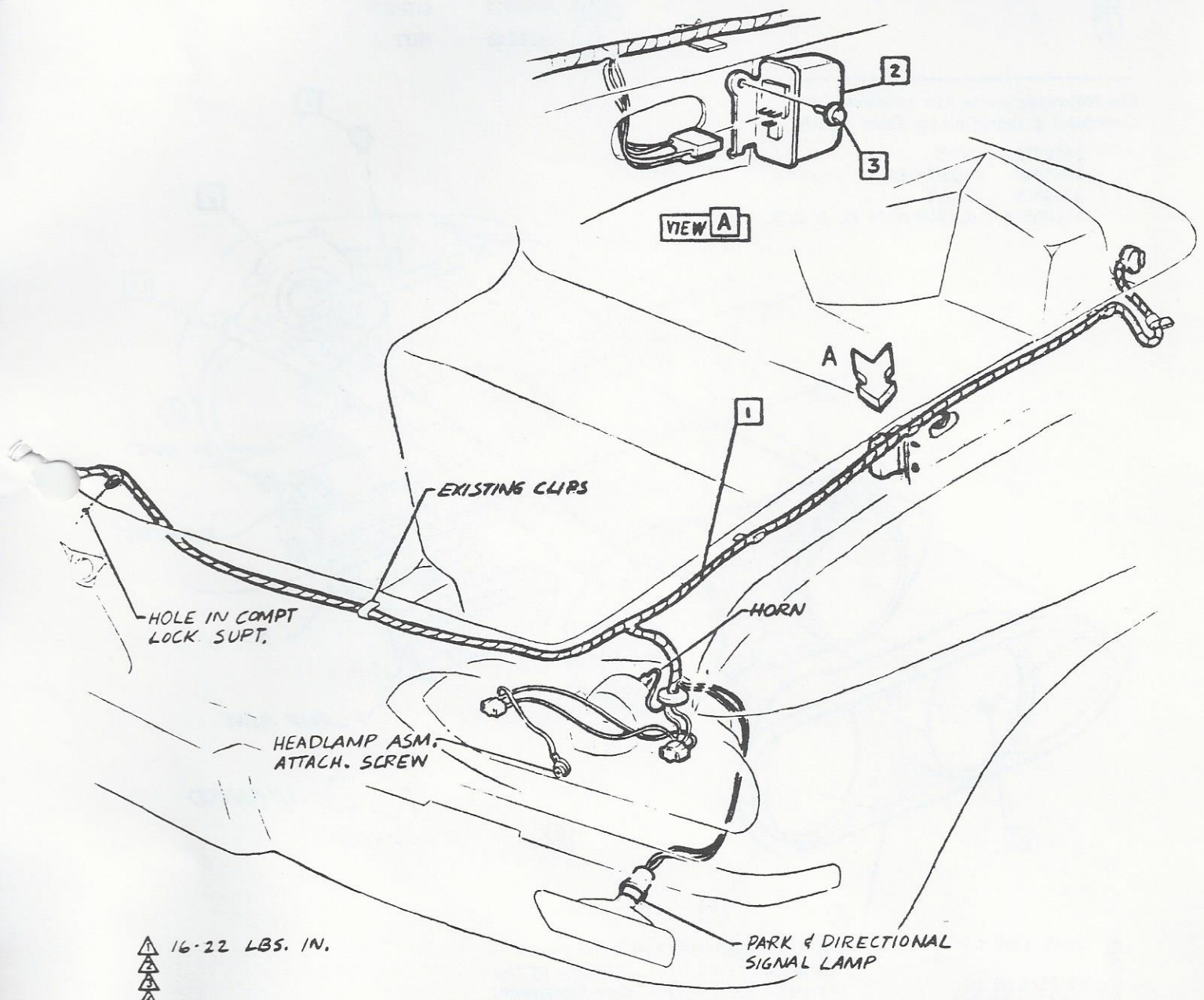


1 2989299 HARNES ASM 10100
2989360 10500-700

2 1115811 RELAY ASM

⚠ 3 9419400 SCREW



⚠ 16-22 LBS. IN.



• CHEVROLET MOTOR DIVISION, GMC •				UPC	DATE	SYM	REVISION RECORD	AUTH.	DR	CK
FORWARD HEADLAMP WIRING & HORN RELAY				12						
10000				A2						
DWG 4-12	WO	REF: A2.	L-7325B L-	<input checked="" type="checkbox"/> SHEET						
DATE 'EL. 6-4	C1	L-	L-							



CHEVROLET

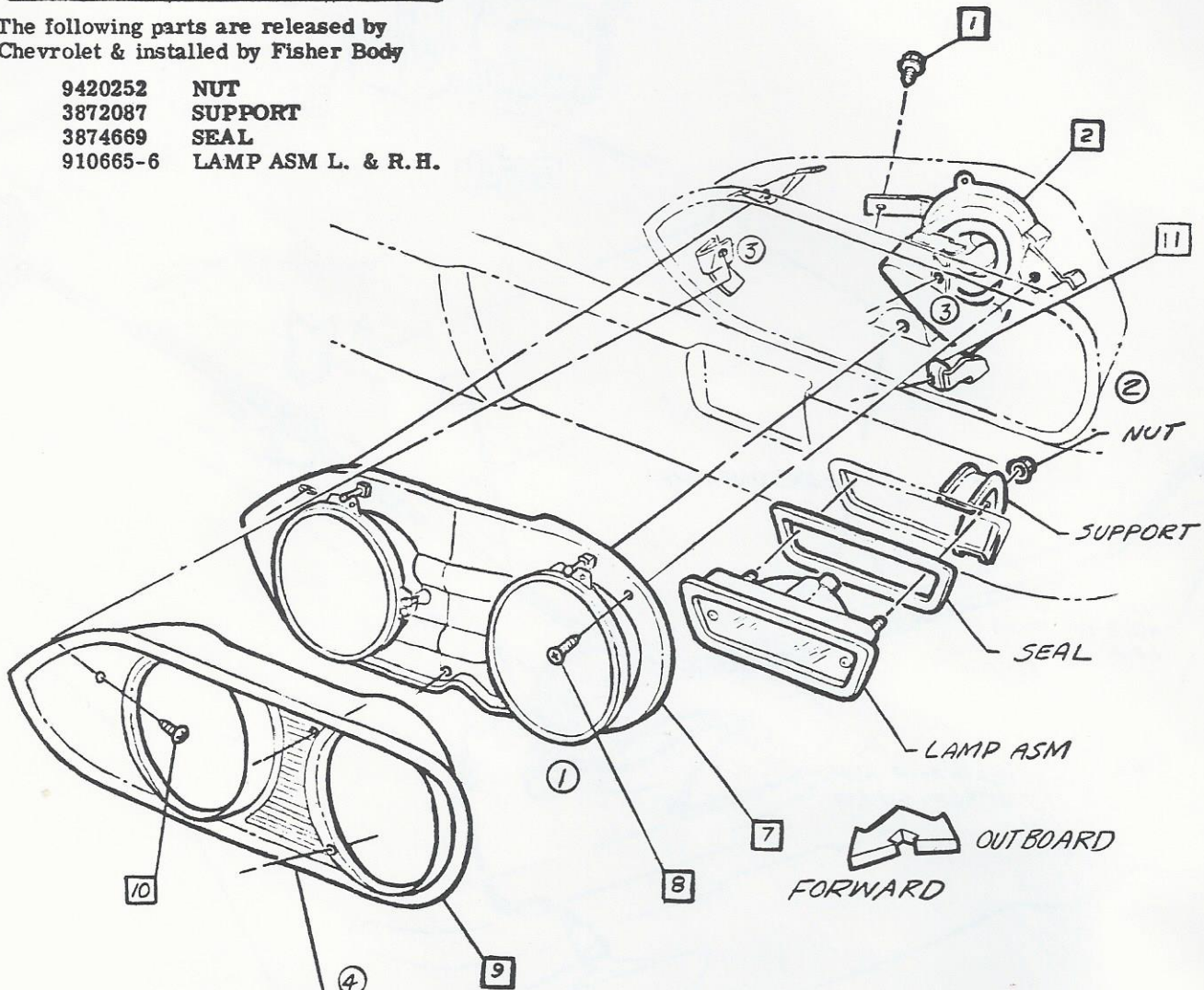
ASSEMBLY INSTRUCTIONS

3878200 CORVAIR 10000 SERIE

- | | | | | | |
|-----|---------|------------------------|------|-----------|-------------------------|
| ① 1 | 3866066 | SCREW ASM | 6 | | |
| 2 | 9030539 | HORN ASM L. H. SIDE | 7 | 5958221-2 | LAMP ASM HEAD L. & R.H. |
| | 9000540 | (10500-700) R. H. SIDE | ③ 8 | 9422724 | SCREW |
| 3 | | | 9 | 3882931-2 | BEZEL L. & R.H. |
| 4 | | | ④ 10 | 3866852 | SCREW |
| 5 | | | 11 | 9422242 | NUT-J |

The following parts are released by Chevrolet & installed by Fisher Body

- | | |
|----------|--------------------|
| 9420252 | NUT |
| 3872087 | SUPPORT |
| 3874669 | SEAL |
| 910665-6 | LAMP ASM L. & R.H. |



- ① 10-15 LBS FT.
- ② 25-35 LBS IN.
- ③ 8-12 LBS IN.

NOTE Upper outboard bezel screw must be driven first, followed by the inboard bezel screw, then the lower bezel screw.

CHEVROLET MOTOR DIVISION, GMC				UPC	DATE	SYM	REVISION RECORD	AUTH.	DR	CK
HEADLAMP, PARKING LAMP & HORN				12	7-7-65	1	LAMP ASM. DRAWING		VE	
							REVISED			
						2	LAMP OPENING DRAWING			
							REVISED			
					8-5-65	3	U-NUT REMOVED (2) PLACES	73236	VG	CI
							BEZEL NOTE ADDED			CI
					10-8-65	5	TORQUE TORQUES 5 FT LBS. IN.	15533	TC	CI
10000				A3						
DWG 2-17	WO	REF: Prel. A3.	L-78353	L-78253						
DATE REL 5-17	CI	L-	L-	L-						
SHEET										