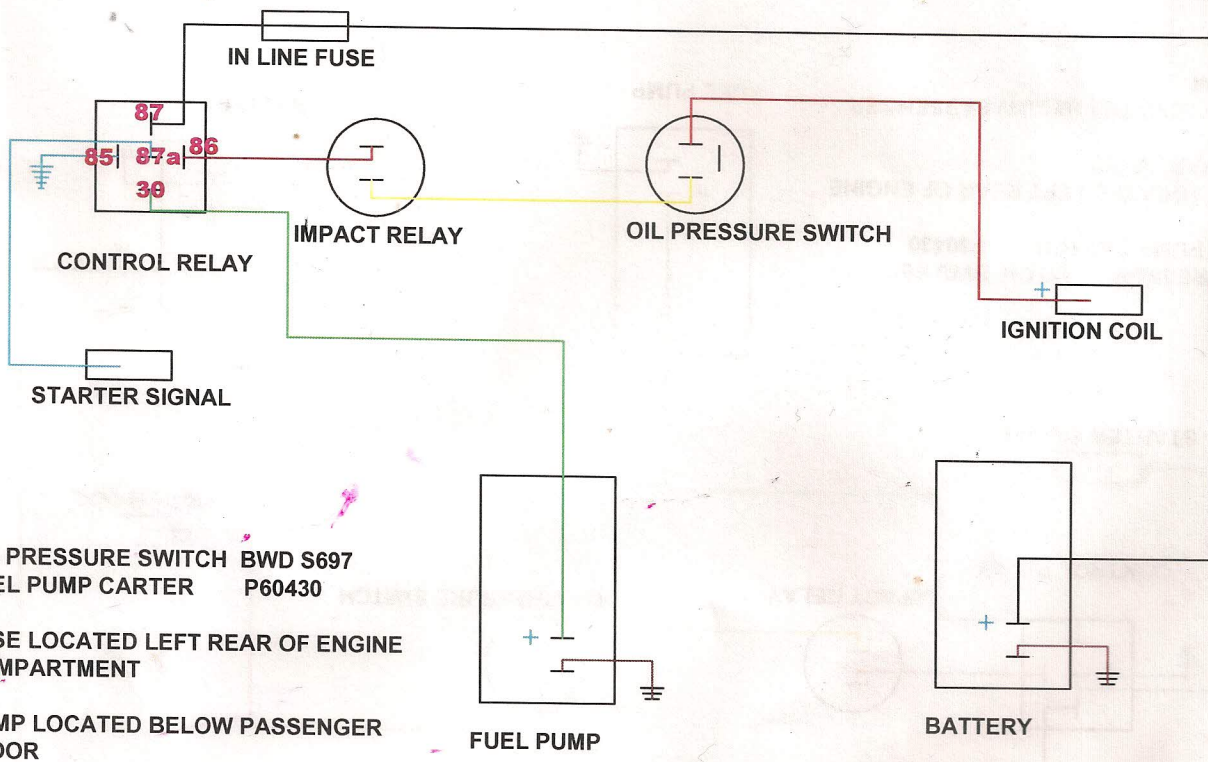


MIKE MAURO  
1967 CORVAIR  
FUEL PUMP WIRING



OIL PRESSURE SWITCH BWD S697  
FUEL PUMP CARTER P60430

FUSE LOCATED LEFT REAR OF ENGINE  
COMPARTMENT

PUMP LOCATED BELOW PASSENGER  
FLOOR

FUEL PUMP

BATTERY

30 to 87a normally closed  
30 to 87 normally open  
85 coil ground  
86 coil actuate  
relay is diode protected