

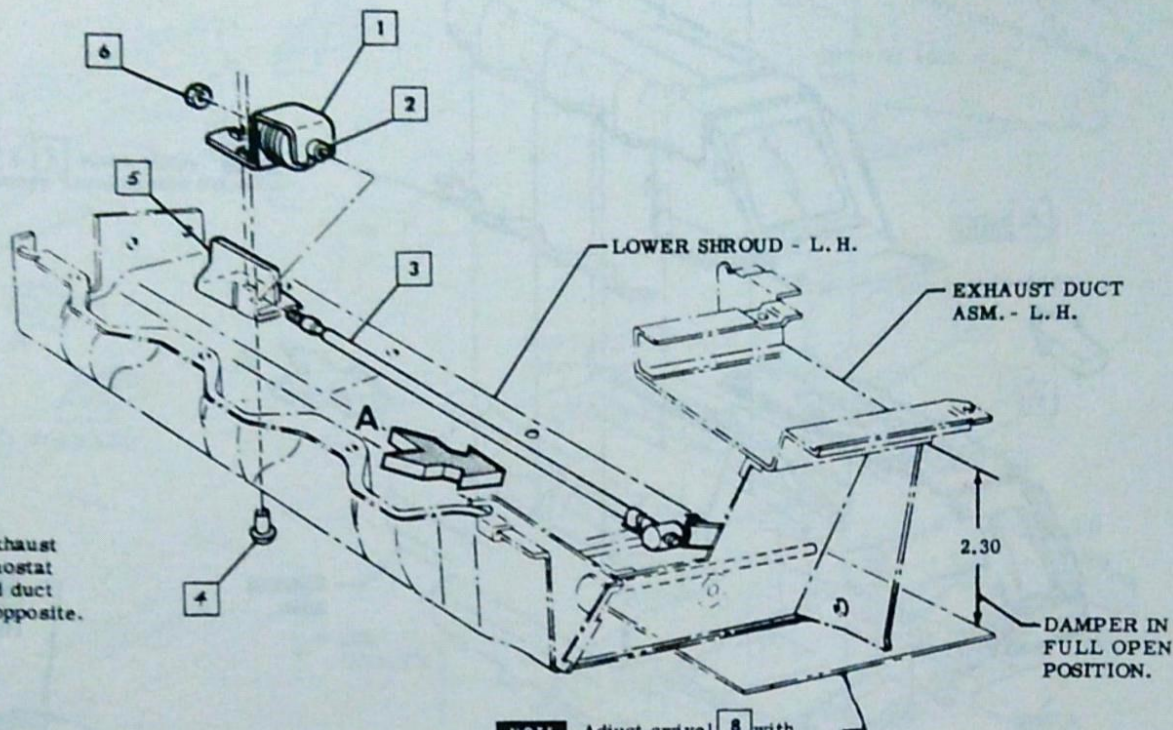


CHEVROLET

ASSEMBLY INSTRUCTIONS

3843000 CORVAIR 5-6-7-900 SERIES

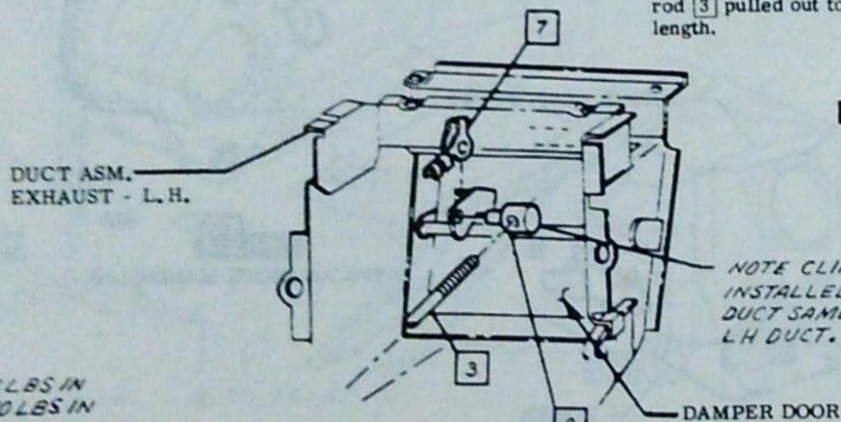
- 1 3830428 BRACKET ASM
- 2 3156784 THERMOSTAT ASM (5-7-900)
3156482 (600)
- 3 3781941 ROD - ACTUATING
- 4 441310 RIVET
- 5 3830431 SHIELD - HEAT LH
3830432 RH
- 6 103025 NUT
- 7 3711177 CLIP
- 8 3711199 SWIVEL



NOTE Left hand exhaust duct damper thermostat shown. Right hand duct is symmetrically opposite.

NOTE Adjust swivel 8 with damper door full open & actuating rod 3 pulled out to maximum length.

NOTE For exhaust duct to lower shroud assembly sequence, refer to Sheet 4.00.



NOTE CLIP 7 & SWIVEL 8 ARE INSTALLED TO R.H. EXHAUST DUCT SAME AS SHOWN FOR L.H. DUCT.

13-17 LBS IN
70-110 LBS IN

CHEVROLET MOTOR DIVISION

GENERAL MOTORS CORPORATION

DATE		SYM.		REVISION RECORD		ECR	DR	CK

--	--	--	--	--	--	--	--	--

MODELS: 500-600-700-900

TITLE: EXHAUST DUCT HEAT THERMOSTAT

1964-66

SECT

6

SHEET

B3.00

REL 6-12-63 JB
REF AREL B-3